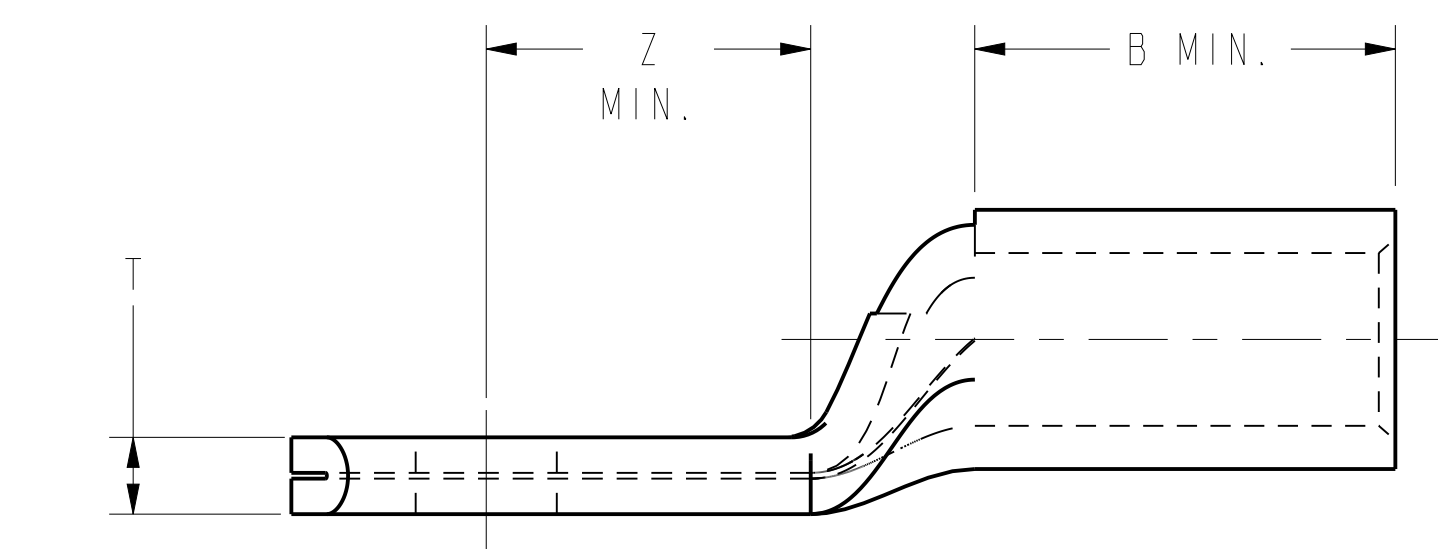
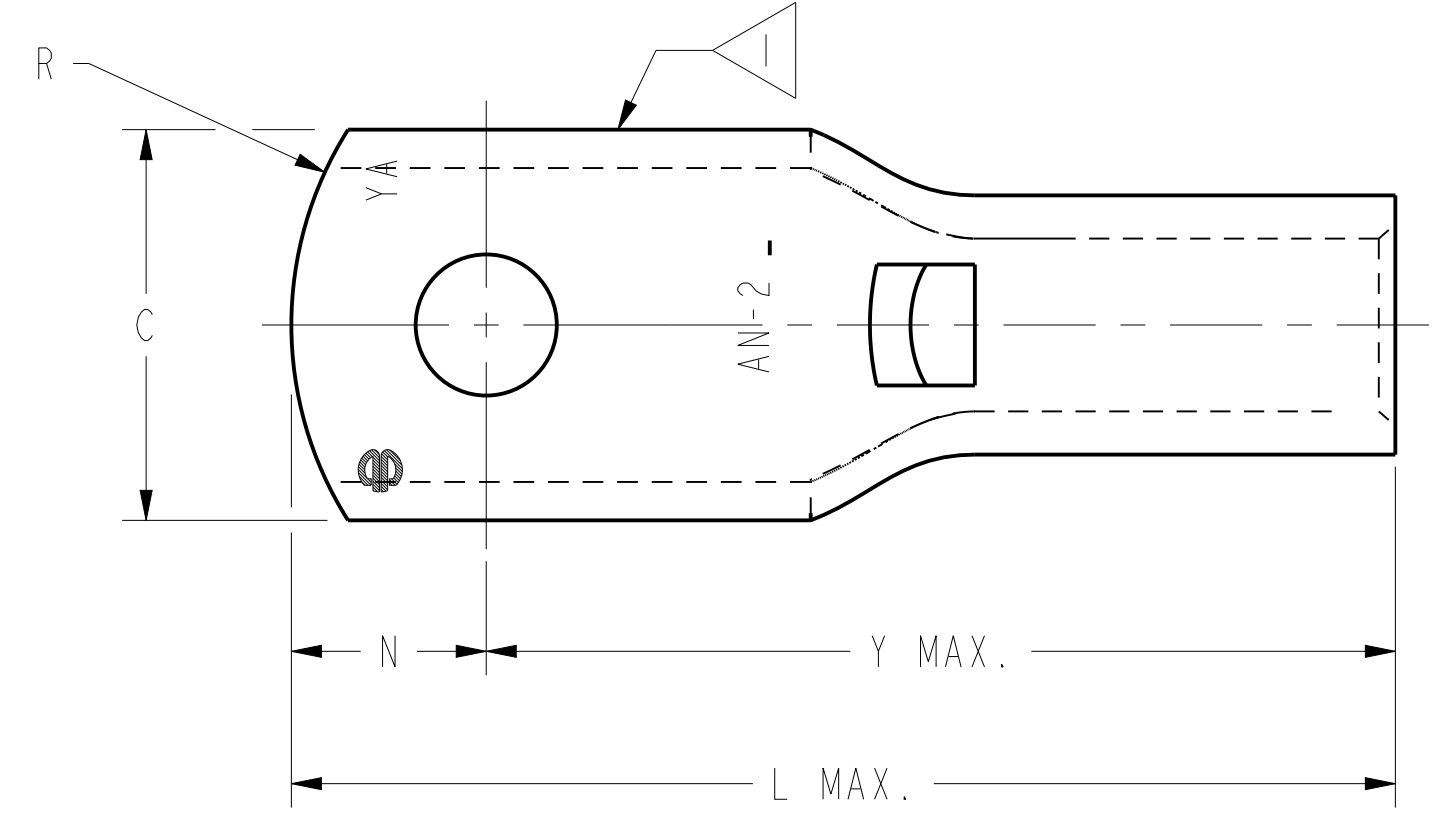


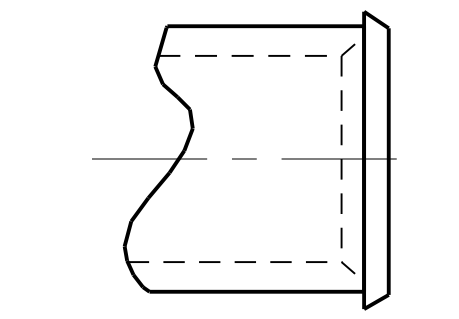
COPPER AIRCRAFT CABLE MIL-W-5036	MS20659 DASH NO.	STUD SIZE	CATALOG NUMBER	C	N	Z MIN.	Y MAX.	L MAX.	T	B MIN.	R REF.	INSTALLATION TOOLING					
												NON - RATCHET	RATCHET	PNEUMATIC	HYDRAULIC		
AN 12 - 10	5	8	YAV10T11	.38	.19	.26	.78	.97	.06	.40	.25	Y10D, Y10-22	Y10MRPA WITH J1022NC5 DIE MR8G98, MR89Q, Y8MRB1, MR20	Y6NCB OR Y6NCP WITH J1022NC5 DIE	---	---	
	102	10	YAV10														
	106	5/16	YAV10T3	.47	.23	.34	.85	1.09	.05	.39	.31						
	128	3/8	YAV10T2	.53	.27		.86	1.13	.04	.39							
AN-8	5	6	YAV8CL15	.41	.20	.28	.94	1.15	.07	.38	MY29-11	MR4C, MR89Q, Y8MRB1, M8ND WITH N8CT DIE	Y6NCB OR Y6NCP WITH Y2CNC NEST AND J8CNC INDENTOR DIES	DV8LI NEST Y29PL INDENTOR (1) CRIMP	UV8L NEST Y34PL INDENTOR (1) CRIMP		
	140	8	YAV8CL14		.17	.25	.91	1.09									
	107	10	YAV8CL22	.28	.28	.94	1.15										
	141	10-5MM	YAV8CL31	.20	.25	.91	1.12										
	141	1/4	YAV8CL1	.46	.23	.32	.98	1.22	.07	.41						.69	
	108	5/16	YAV8CL2	.28	.34	1.01	1.30	.05	.41	.69							
	129	3/8	YAV8CL3	.31	.51	1.18	1.49										
	142	3/8-10MM	YAV8CL32	.28	.34	1.01	1.30										
	142	1/2	YAV8CL4	.73	.38	.48	1.14	1.52	.75	.38							
	142	5/8	YAV8CL39	.83	.50	.62	1.29	1.79									
	142	12	YAV8CL86	.41	.20	.26	.93	1.13	.07	.38							
	142	1/4	YAV8CL1B	.46	.23	.32	.99	1.22	.07	.38							
	142	1/4	YAV8CL1BOX500	.46				1.22									
	142	10	YAV8CLBOX500	.41	.20	.28	.94	1.15	.07								
AN-6	5	10	YAV6CL1	.48	.24	.29	1.06	1.31	.07	.47	.69	MY28 MY29-11	MR4C	Y6NCB OR Y6NCP WITH Y2CNC NEST AND J6CNC INDENTOR DIES	DV6L NEST Y29PL INDENTOR (1) CRIMP	UV6L NEST Y34PLA INDENTOR (1) CRIMP	
	130	10	YAV6CL12	.50	.25	.34	1.11	1.37	.07								
	109	10-5MM	YAV6CL25	.48	.24	.29	1.06	1.31	.07								
	109	1/4	YAV6CL	.50	.25	.63	1.40	1.65	.07								
	131	5/16	YAV6CL4	.60	.30	.35	1.13	1.43	.06								
	110	3/8	YAV6CL2	.48	1.26	1.56	.06	.47	.69								
	110	3/8	YAV6CL22	.69	.44	.45											1.23
	143	3/8-10MM	YAV6CL26	.60	.30	.35	1.13	1.43	.06								
	143	1/2	YAV6CL10	.74	.38	.49	1.26	1.64	.69								.38
	143	10	YAV6CL19BOX	.44	.24	.29	1.06	1.31									
143	1/4	YAV6CLBOX500	.50				1.28										
AN-4	5	10	YAV4CL3	.55	.25			1.37	.08	.47	.38	MY28 MY29-11	MR4C	---	DV4L NEST Y29PL INDENTOR (1) CRIMP	UV4L NEST Y34PLA INDENTOR (1) CRIMP	
	144	10-5MM	YAV4CL21		.28	.28	1.11	1.39									
	111	1/4	YAV4CL	.25			1.37										
	144	1/4	YAV4CL30	.28	.35	1.18	1.46										
	144	1/4	YAV4CL31	.28	.28	1.11	1.39										
	132	5/16	YAV4CL4	.33	.33	1.17	1.48	.07	.47								
	112	3/8	YAV4CL2	.63	.31	.48	1.32										1.63
145	3/8-10MM	YAV4CL22	.33	.33	1.17	1.48											
145	1/2	YAV4CL5	.73	.38	.47	1.30	1.68	.06	.69								

INSTALLATION TOOLING			
NON - RATCHET	RATCHET	PNEUMATIC	HYDRAULIC
Y10D, Y10-22	Y10MRPA WITH J1022NC5 DIE MR8G98, MR89Q, Y8MRB1, MR20	Y6NCB OR Y6NCP WITH J1022NC5 DIE	Y29B, Y29NC Y35, Y35BH, Y39, Y39BH, Y750, Y750BH
MY29-11	MR4C, MR89Q, Y8MRB1, M8ND WITH N8CT DIE	Y6NCB OR Y6NCP WITH Y2CNC NEST AND J8CNC INDENTOR DIES	DV8LI NEST Y29PL INDENTOR (1) CRIMP UV8L NEST Y34PL INDENTOR (1) CRIMP
MY28 MY29-11	MR4C	Y6NCB OR Y6NCP WITH Y2CNC NEST AND J6CNC INDENTOR DIES	DV6L NEST Y29PL INDENTOR (1) CRIMP UV6L NEST Y34PLA INDENTOR (1) CRIMP
MY28 MY29-11	MR4C	---	DV4L NEST Y29PL INDENTOR (1) CRIMP UV4L NEST Y34PLA INDENTOR (1) CRIMP



NOTES:

1. DUE TO METHODS OF MANUFACTURING, SERRATIONS APPEAR ON TONGUE.
2. MATERIAL: COPPER TUBING
3. STANDARD FINISH: TIN PLATED
ALTERNATE PLATING OPTIONS: ADD SUFFIX TO DENOTE DIFFERENT PLATING REQUIREMENTS.
NK = NICKEL PLATING
W = HOT TIN DIP.
SV = MATTE SILVER PLATING
BR = BARE (UNPLATED)
LD = LEAD PLATING
4. ALL ITEMS ARE LISTED BY UNDERWRITERS LABS PER CONTROL NUMBER 670-B, FILE NUMBER E9498, WHITE CARD.
5. ADD "B" SUFFIX FOR BELLED BARREL. BELLED VERSIONS OF THESE HYLUGS™ DONT'T CONFORM TO THE MS20659 DASH NO.



5 BELLED VIEW

CAT.NO. YAV6C-L10B
SUPERSEDES: SA16635

REV	DATE	DESCRIPTION	ECO	BY	C'K'.
C	07/16/2015 00:00:00 AM	FOCUS REQUEST FPN1507024	40972	AS	MB

HYLUG™	
ITEM NO:	N/A
CAT. NO:	YAVL (SEE TABLE)
DRAWN BY:	ESK 02-02-73
CHECKER:	TB 06-01-77
DSN APPVL:	TB 06-01-77
MFG APPVL:	--
QA APPVL:	--
MKT APPVL:	--
PROD FAM:	PROD./SMALL COMPRE.
PROJECT #:	SIZE
DOCUMENT TYPE:	Sales
REL LEVEL:	Released



SCALE:	DRAWING NO.	REV
3:1	SD034764	C
	SHEET 1 OF 3	

REV: PEO200